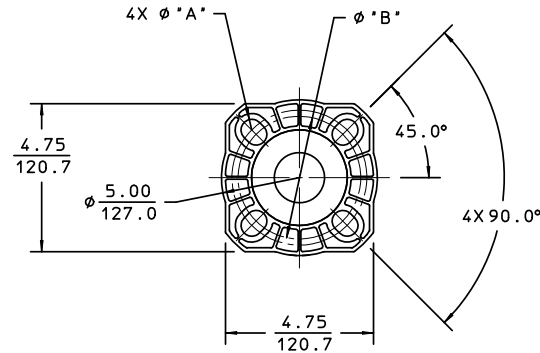
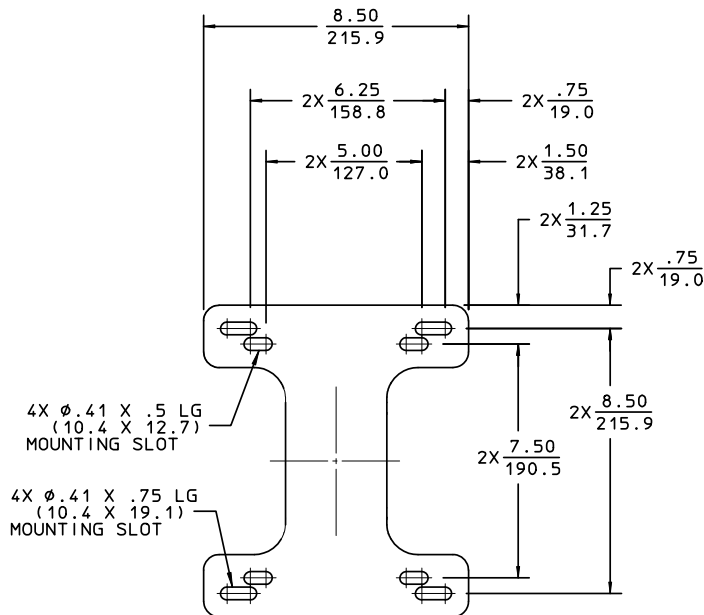
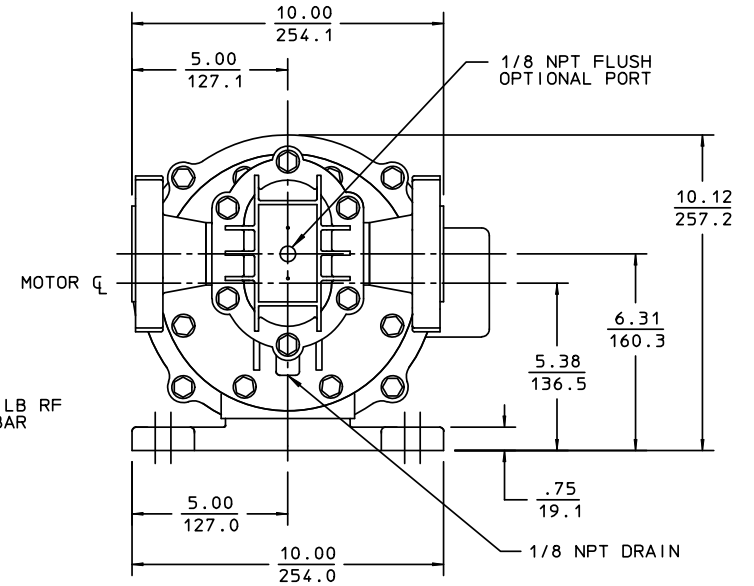
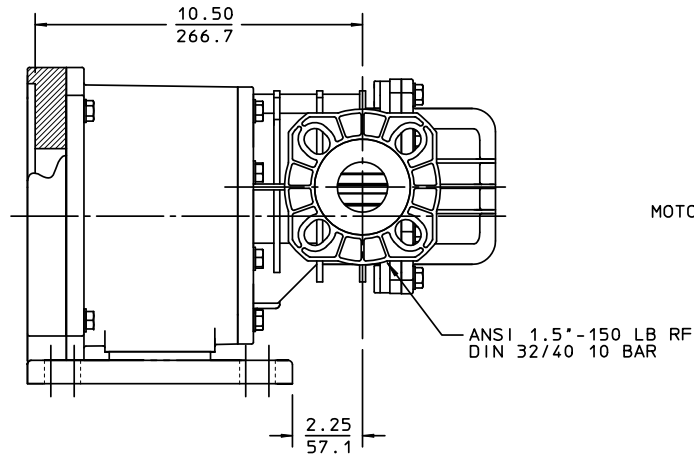


NOTES:

1. SUCTION AND DISCHARGE PORTS DEPENDENT UPON PUMP SHAFT ROTATION.
2. SEE DRAWING SD-2978-001 FOR MOTOR MOUNTING INFORMATION
3. MOUNTING FOOT ONLY SUPPLIED FOR THE FOLLOWING FRAME SIZES: 56C, 143-145TC, 182-184TC, 100IEC, 112IEC. LARGER FRAME SIZES REQUIRE MOTOR FOOT MOUNTING. PUMP MOUNTING FOOT WILL NOT WORK.
4. STANDARD MOTOR ADAPTOR PLATE FITS NEMA 56C, 143TC, 182TC, 184TC AND 100/112 METRIC FRAME MOTORS
5. MUST USE C-FACE MOTORS OF SPECIFIED FRAME SIZES



FLANGE	DIA 'A'	DIA 'B'
ANSI 1.5 RF 150 LB	.62 (15.7)	3.88 (98.4)
DIN 32 RF 10 BAR	.68 (17.3)	3.94 (100.1)
DIN 40 RF 10 BAR	.68 (17.3)	4.34 (110.2)

PUMP DIMENSIONS

ALL DIMENSIONS ARE IN INCHES/mm				SCALE: 1:4		Item - No.	
Customer				Model		E75/EH75 ; E125/EH125	
Project No.				Motor Pwr/Fr		213-5TC,254-8TC, IEC 132	
Po No./SO No.				Unit Weight		lb kg	
				Name		Date	
H	ADD SECTION CHART	KLM	04/16/13	Drawn	JRY	05/12/04	
Rev	Revision Description	Name	Date	Checked	JRY	05/12/04	
				Drawing No.		SD-2978-000	

MOUNTING FOOT DIMENSIONS
SEE NOTE 3

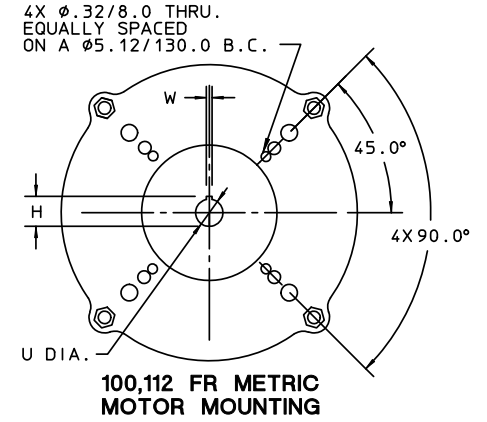
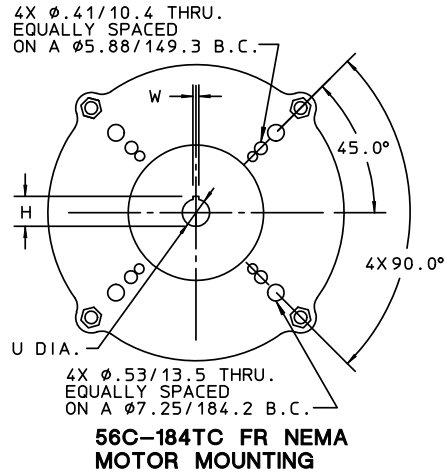
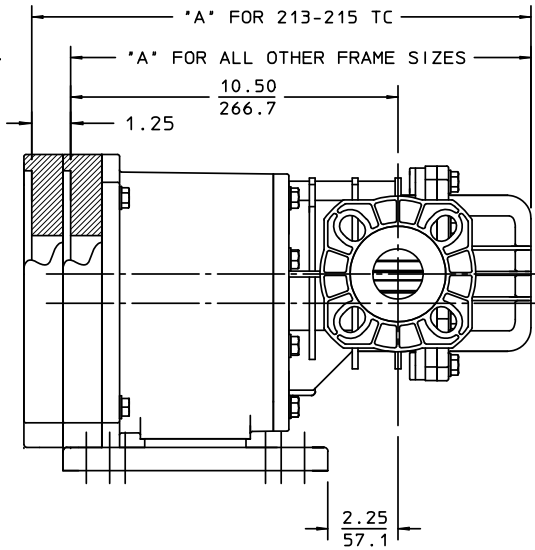
SECTION/PAGE	ECLIPSE 75&125 / 101
EFFECTIVE	04/16/13
SUPERSEDES	12/01/08



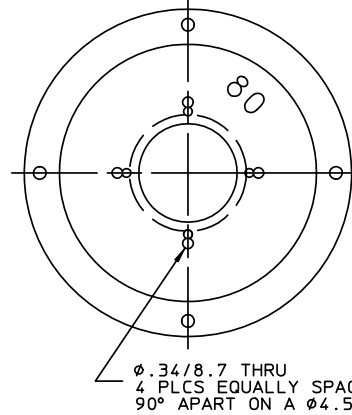
A Unit of IDEX Corporation

NOTES:

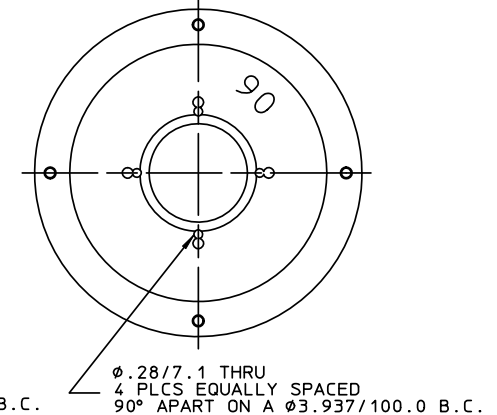
1. STANDARD MOTOR ADAPTOR PLATE FITS NEMA 56C, 143TC, 182TC, 184TC AND 100/112 METRIC FRAME MOTORS.
2. MUST USE C-FACE MOTORS OF SPECIFIED FRAME SIZES.
3. SEE DRAWING SD-2978-000 FOR PUMP DIMENSIONS



**90 FR METRIC
MOTOR MOUNTING**



**80 FR METRIC
MOTOR MOUNTING**



MOTOR FRAME	U DIA. SHAFT	W KEY WIDTH	H KEY HEIGHT	DIM 'A'
56C	.626 15.9	.188 4.7	.71 18.0	14.77 375.2
140TC 180C	.876 22.2	.188 4.7	.96 24.5	14.77 375.2
182TC 184TC	1.13 28.6	.252 6.4	1.24 31.5	14.77 375.2
80 B14	.748 19.0	.236 6.0	.846 21.5	14.77 375.2
90 B14	.945 24.0	.315 8.0	1.06 27.0	14.77 375.2
100 112	1.10 28.0	.317 8.0	1.24 31.5	14.77 375.2
213TC 215TC	1.38 34.9	.312 7.9	1.52 38.6	16.02 400.4

MOTOR MOUNTING DIMENSIONS

ALL DIMENSIONS ARE IN INCHES/mm				SCALE: 1:4		Item - No.	
Customer				Model		E75/EH75 ; E125/EH125	
Project No.				Motor Pwr/Fr		213-5TC,254-8TC, IEC 132	
Po No./SO No.				Unit Weight		lb kg	
				Name		Date	
G	SHOW COUNTERBORE			JRY	12/11/12	Drawn	JRY 05/12/04
Rev	Revision Description			Name	Date	Checked	JRY 05/12/04
						Drawing No. SD-2978-001	

