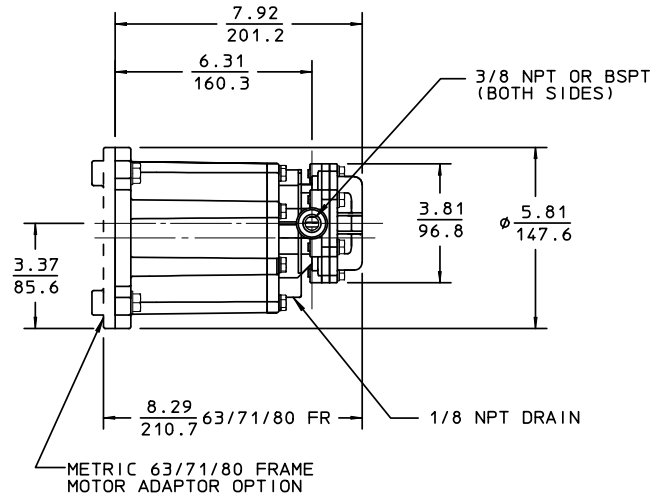
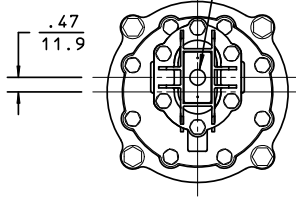


E05 WITH FLANGE ADAPTOR KIT: E05FX_

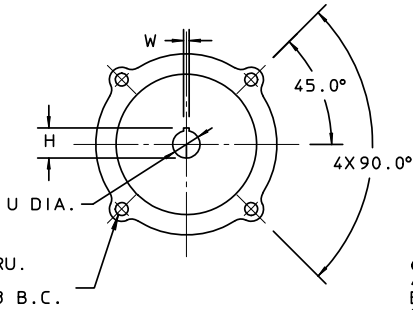
1/8 NPT
OPTIONAL FLUSH
PORT



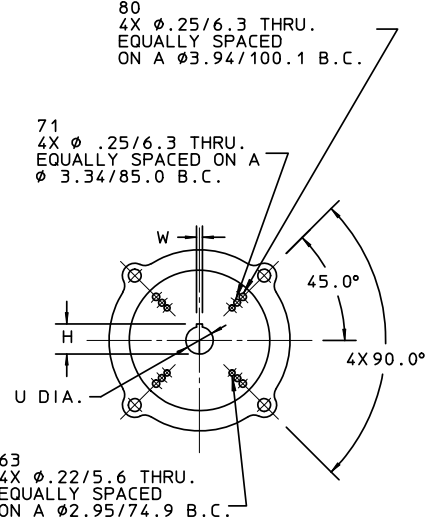
METRIC 63/71/80 FRAME
MOTOR ADAPTOR OPTION

- NOTES:
1. SUCTION AND DISCHARGE PORTS DEPENDENT UPON PUMP SHAFT ROTATION.
 2. STANDARD MOTOR ADAPTOR FITS NEMA 56C, 143TC, 182C AND 184C FRAME MOTORS.
 3. METRIC MOTOR ADAPTOR OPTION FITS 63, 71 AND 80 FRAME MOTORS.
 4. MUST USE FOOT MOUNTED C-FACE MOTOR OF SPECIFIED FRAME SIZES.

MOTOR FRAME	U DIA. SHAFT	W KEY WIDTH	H KEY HEIGHT
56C	.626 15.9	.188 4.7	.71 18.0
140TC	.876 22.2	.188 4.7	.96 24.5
180C			
63	.434 11.0	.159 4.0	.51 12.9
71	.553 14.0	.196 5.0	.64 16.0
80	.750 19.1	.237 6.0	.865 22.0



**56C-184C FR NEMA
MOTOR MOUNTING**



**63-71-80 FR METRIC
MOTOR MOUNTING**

ALL DIMENSIONS ARE IN INCHES/mm				SCALE: 1:4			Item - No.	
Customer							Model	
Project No.							E05	
Po No./SO No.							Motor Pwr/Fr	
							SEE CHART	
							Unit Weight	
							lb kg	
SECTION/PAGE				ECLIPSE 3 / 101				
EFFECTIVE				12/21/07			A Unit of IDEX Corporation	
SUPERSEDES				6/23/05			Drawing No.	
							SD-2976-000	
D	CHGD FORMAT TO LANDSCAPE	KLM	04/16/13	Drawn	JRY	05/12/05		
Rev	Revision Description	Name	Date	Checked	JRY	05/12/04		

SECTION/PAGE	ECLIPSE 3 / 101
EFFECTIVE	12/21/07
SUPERSEDES	6/23/05